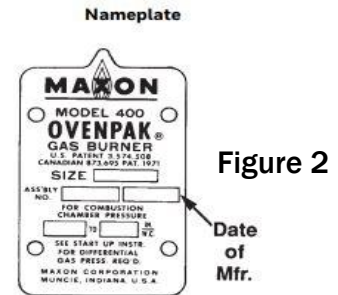




# How To: Quote Maxon OvenPak Burner

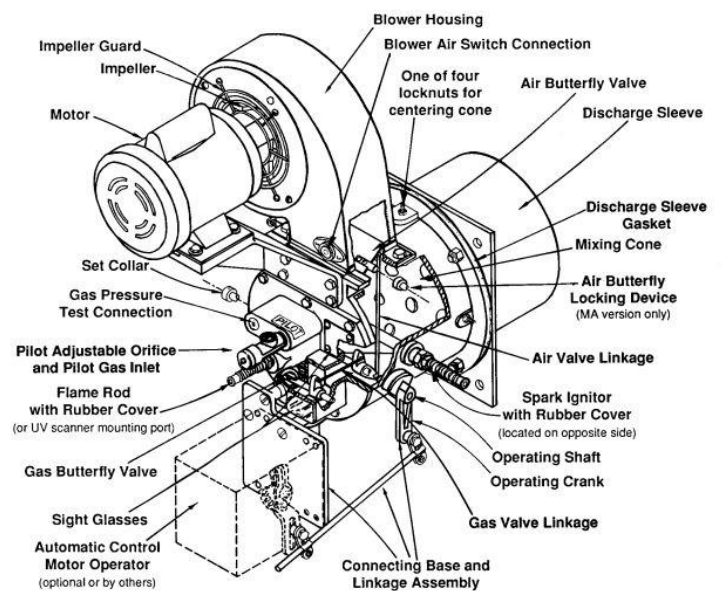
## Maxon OvenPak (Figure 1)

1. Is this for a new or existing application? If replacing an existing burner, LaX will need to know the serial number off the nameplate.
  - a. You can provide a picture of the nameplate (Figure 2).
  - b. You can provide pictures of the burner to help configure.
  - c. If you cannot find the serial number, please use the below steps for your configuration.



2. What size burner? – 400 series, 500 series or LE series.
3. Does the burner come with a standard...
  - a. Observation Glass?
  - b. Orifice?
  - c. Spark Ignitor?

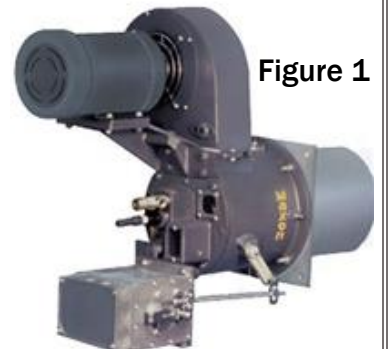
## Component Identification



4. Does the burner have a Flame Rod or UV Scanner as its flame detection?
5. Is the burner Natural gas or Propane gas?
6. Standard Discharge Sleeve: 8" (310SS) OR 12" (310SS)?
7. Decide if the following components are included:
 

a. Oven Wall Gasket	e. Mixing Cone
b. Standard Motor	f. Control Motor
c. Standard Blower	
d. Filter or Silencer?	

8. Provide which option for Position Switch is desired.
  - a. Low Fire Start Switch Assembly (SPDT) opens the circuit when burner leaves minimum position.
  - b. High and Low Fire Position Switch Assembly includes 2 SPDT switches. One switch may be field set to activate at high fire position, while other is set to activate at low fire position.



Horizon Performance Technologies LLC  
Where Efficiency and Innovation Meet

Please contact LaX at 262-408-5583 for any questions or inquiries  
S40 W24080 Rockwood Way Waukesha, WI 53189